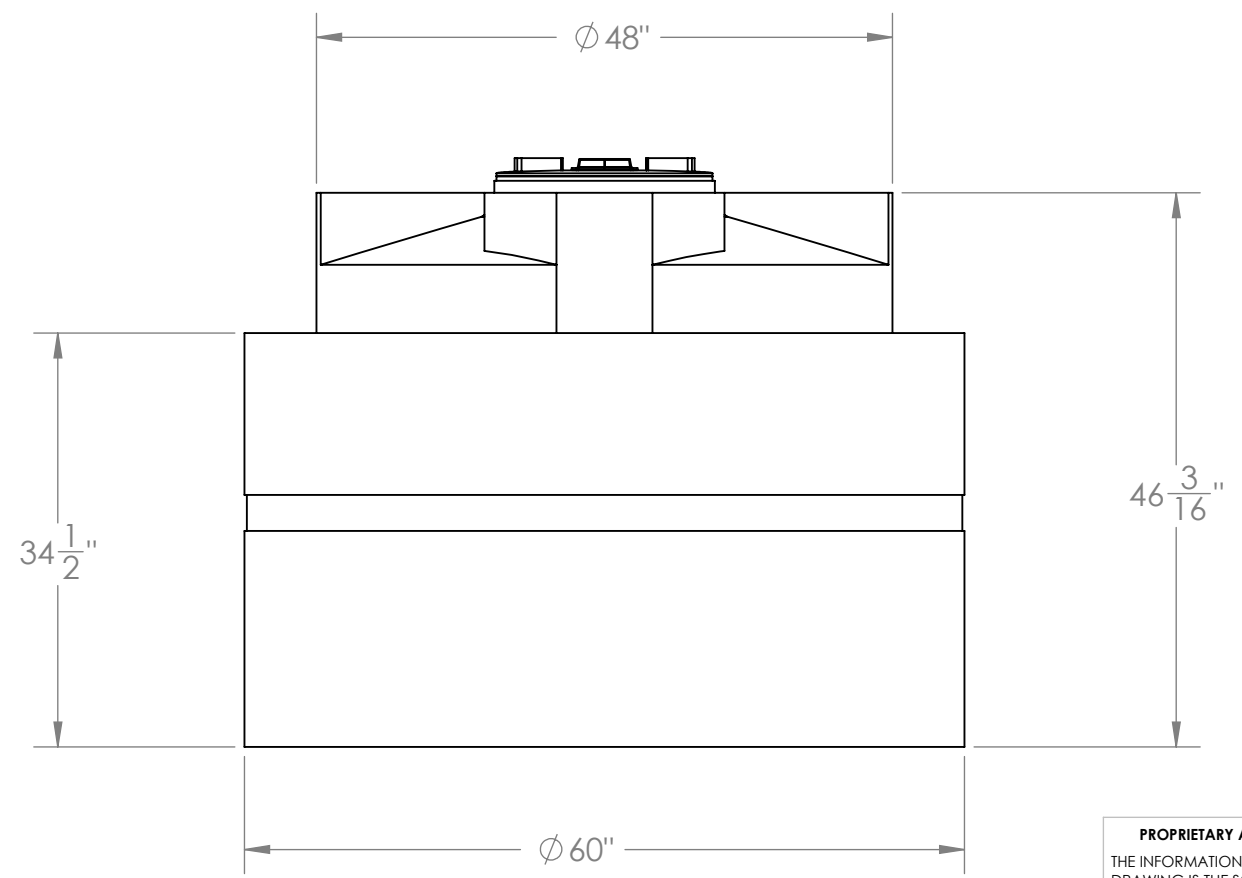
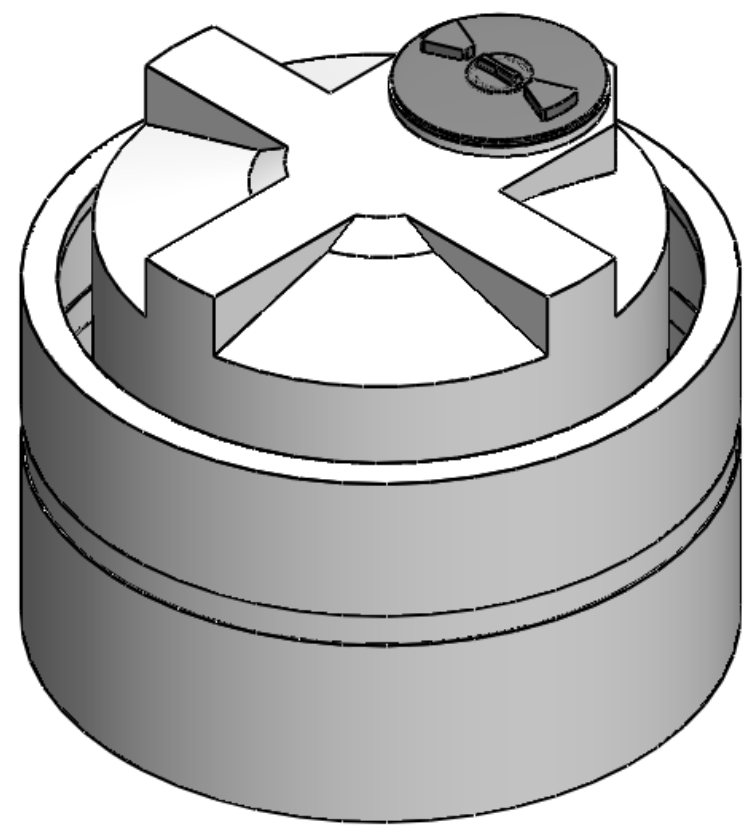
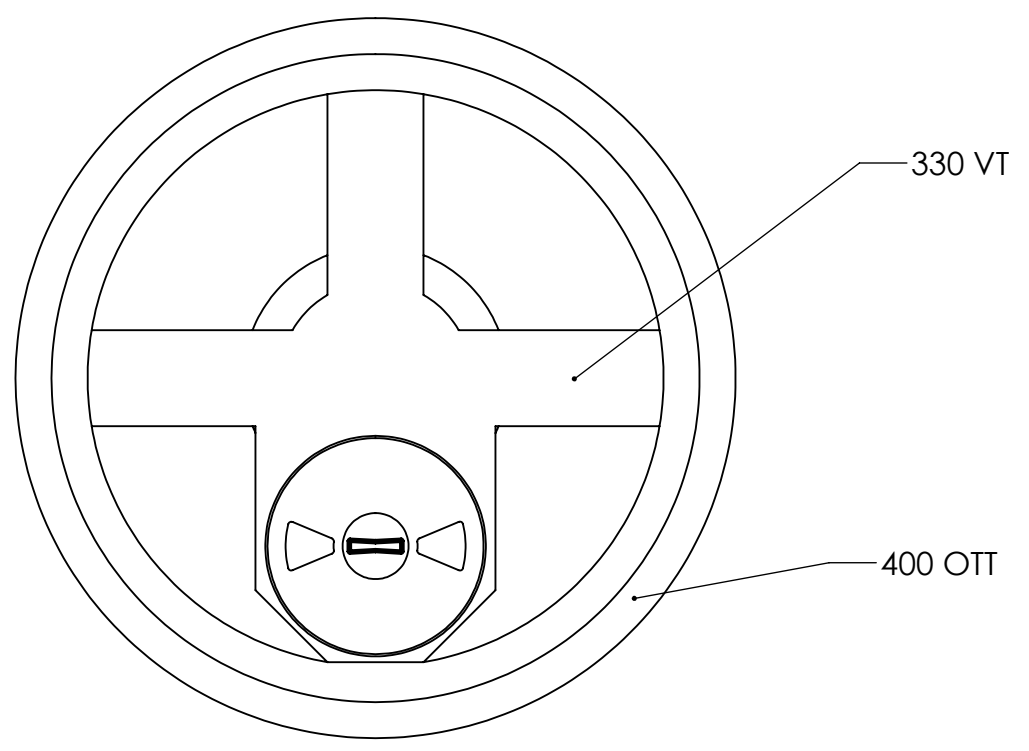


8 7 6 5 4 3 2 1

D  
C  
B  
A



NOTES:

1. MATERIAL: HDPE
2. PRIMARY TANK : STD = 2.0 S.G. 65 LBS
3. CONTAINMENT : STD = 2.0 S.G. 80 LBS
4. SHIPPING WT. : 145 LBS.

**PROPRIETARY AND CONFIDENTIAL**  
 THE INFORMATION CONTAINED IN THIS DRAWING IS THE SOLE PROPERTY OF <INSERT COMPANY NAME HERE>. ANY REPRODUCTION IN PART OR AS A WHOLE WITHOUT THE WRITTEN PERMISSION OF <INSERT COMPANY NAME HERE> IS PROHIBITED.

		UNLESS OTHERWISE SPECIFIED:		NAME	DATE	CUSTOM ROTO-MOLDING, INC.	
		DIMENSIONS ARE IN INCHES		DRAWN	EBW	1-18-11	TITLE:  <b>330 VT - 400 OTT</b>
		TOLERANCES:		CHECKED			
		FRACTIONAL ±		ENG APPR.			
		ANGULAR: MACH ± BEND ±		MFG APPR.			
		TWO PLACE DECIMAL ±		Q.A.			SIZE DWG. NO. REV
		THREE PLACE DECIMAL ±		COMMENTS:			<b>B</b> 330 VTWC
NEXT ASSY	USED ON	MATERIAL				SCALE: 1:24 WEIGHT: SHEET 1 OF 1	
APPLICATION		FINISH				DO NOT SCALE DRAWING	

8 7 6 5 4 3 2 1